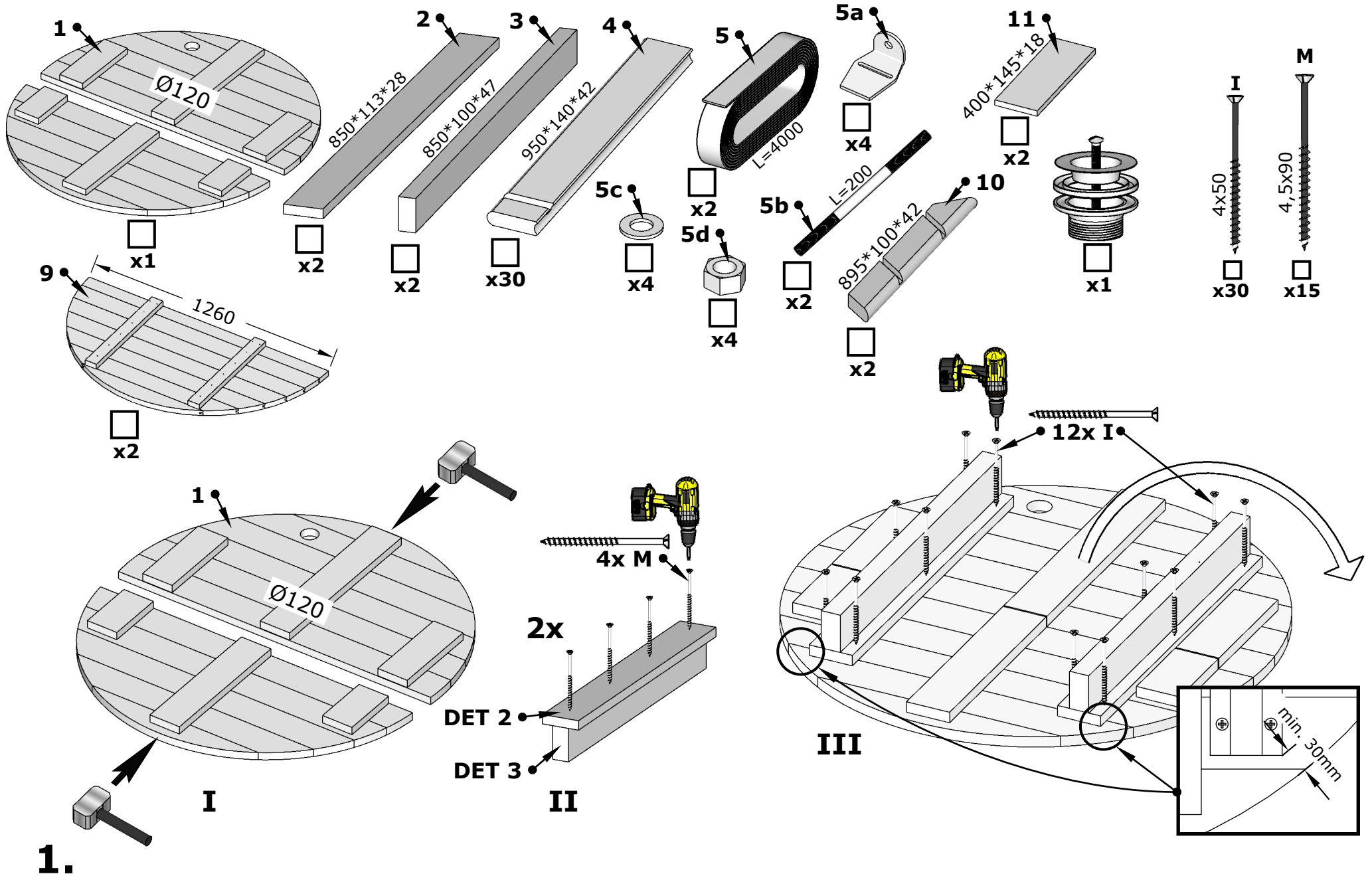
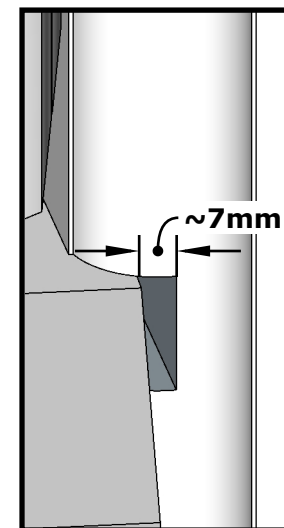
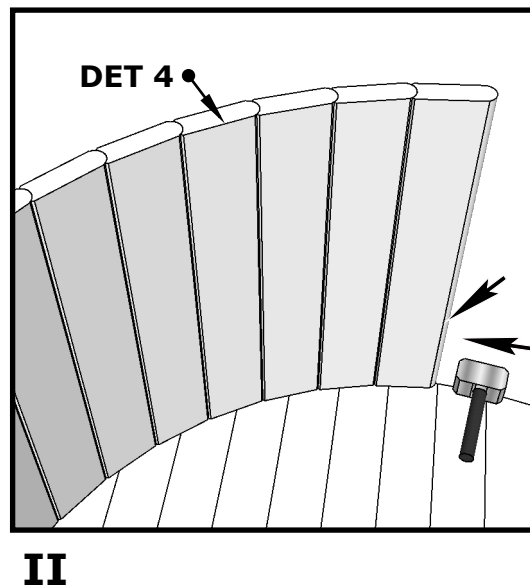
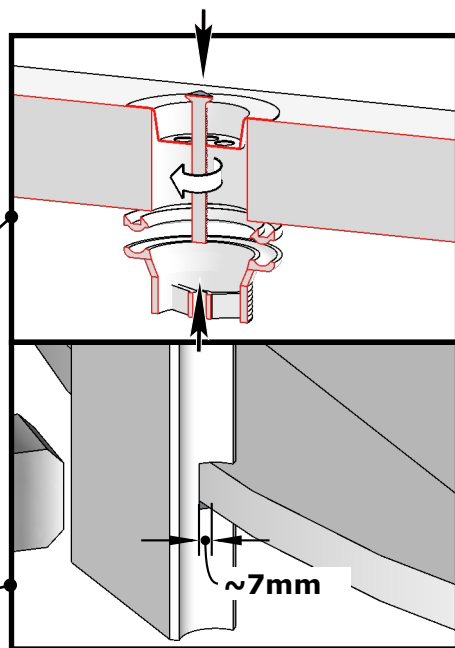
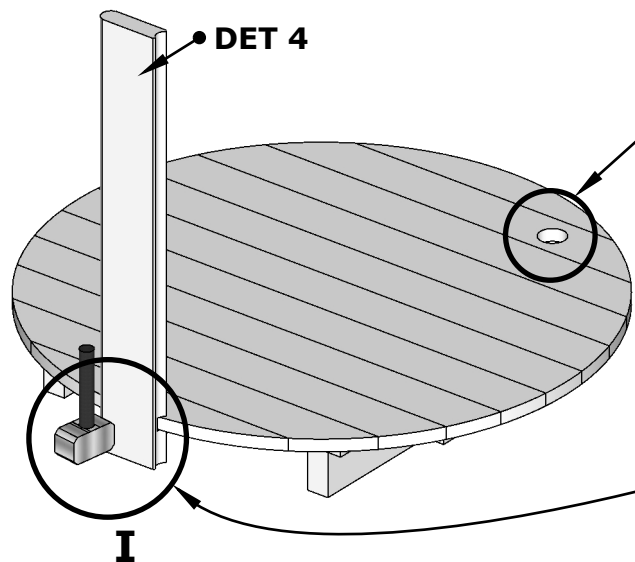


Tub Ø 120 cm.

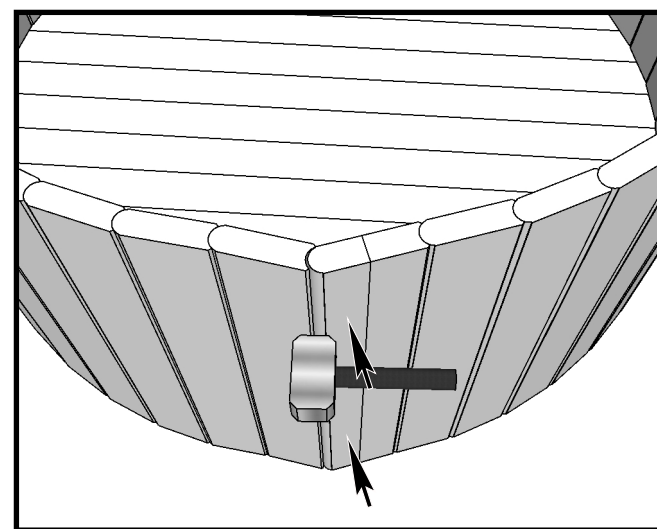
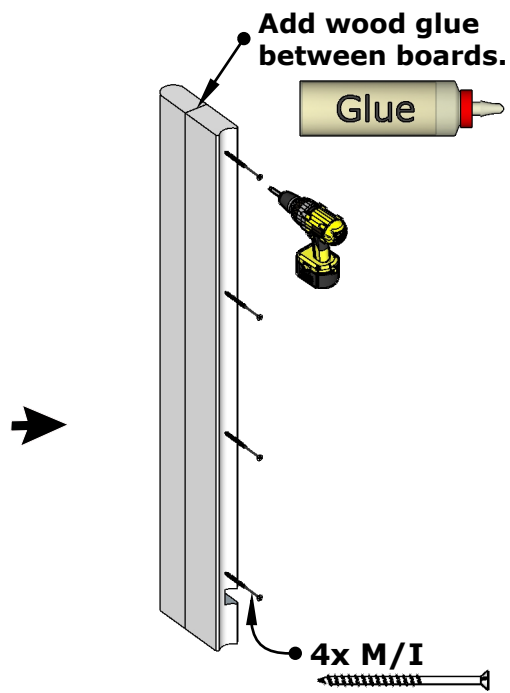
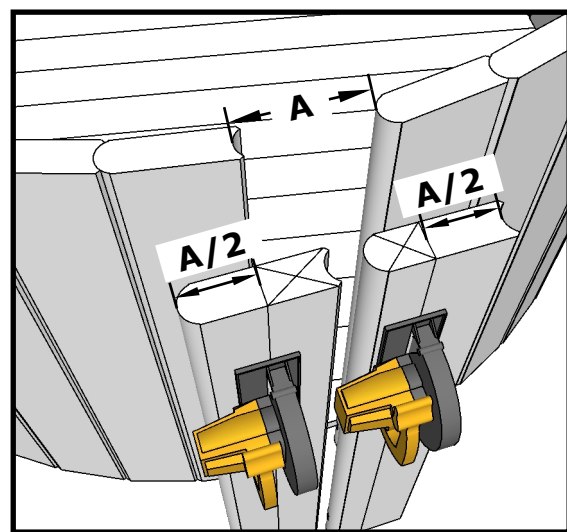
Details list.



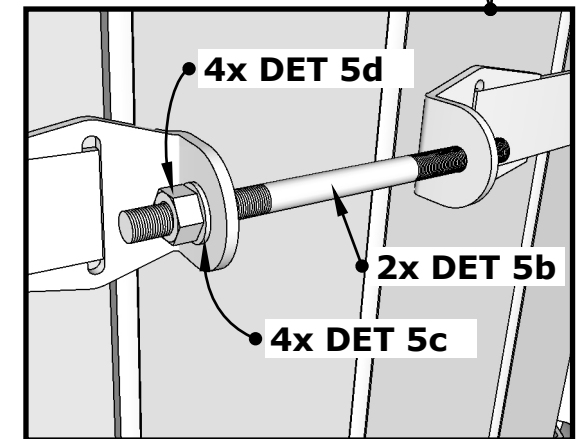
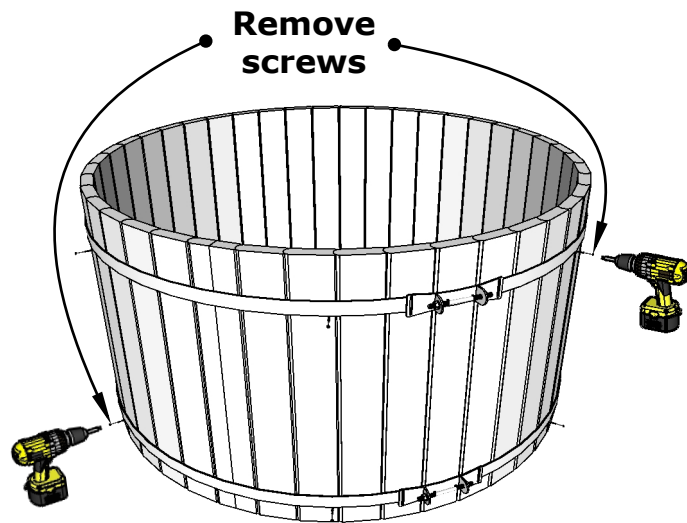
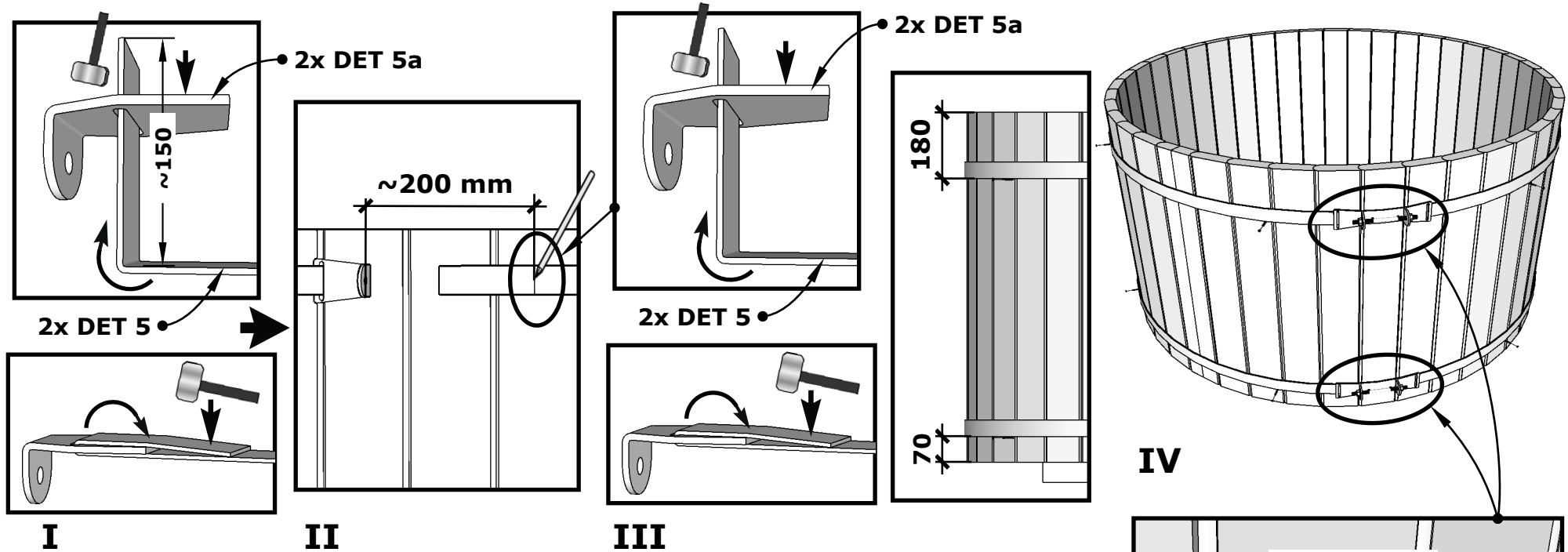
Tub Ø 120 cm.



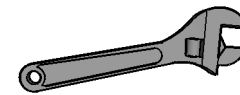
2.



Tub Ø 120 cm.



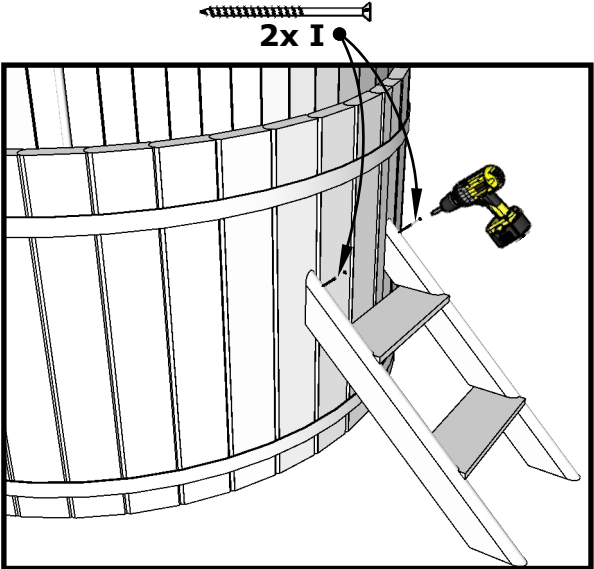
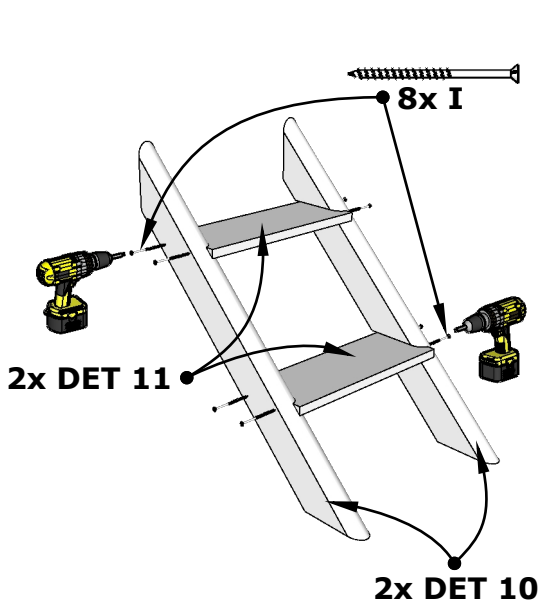
During assembly and retightening the threaded rods, use oil (Würth HPS 1400 or similar) to avoid "cold welding" and it is also easier tightening.



3.

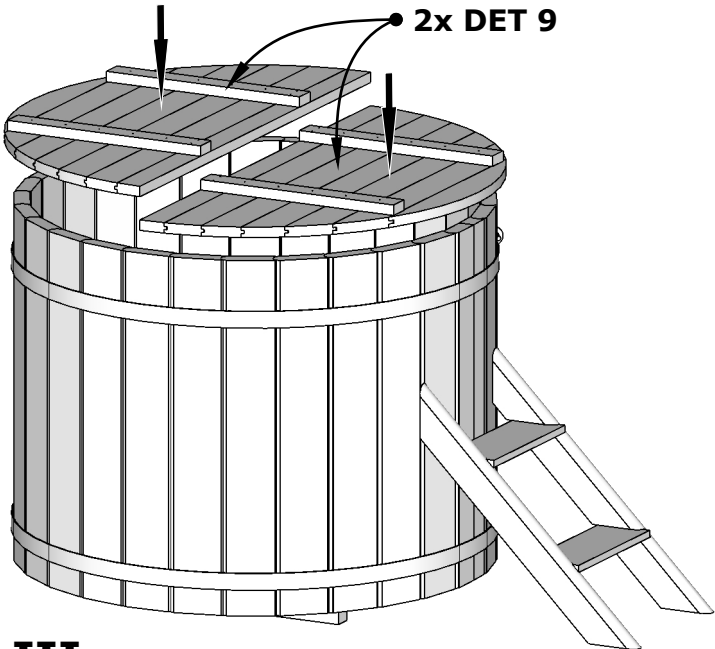
V

Tub Ø 120 cm.



II

I



4.

III